



## Concealed wall installation box -

---

35 206 970 90

- female thread 1/2" connection
- dust cover
- anti-water packing



---

### Recommended miscellaneous

**Leak protection 1/2" -**

12 010 970 90



---

### Recommended miscellaneous

**xGRID Attachment set for  
integrating in the dry wall  
construction -**

12 340 970 90



---

### Required miscellaneous

**xGRID Installation track 555 mm -** 12 360 970 90

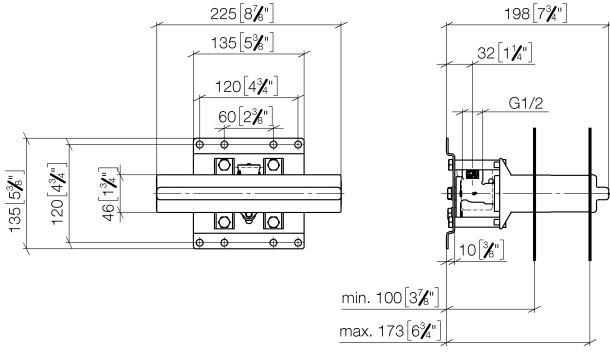


## Concealed wall installation box -

---

35 206 970 90

mm [inches]



## Certificates

---

WRAS\_2106011. LGA\_19489.

